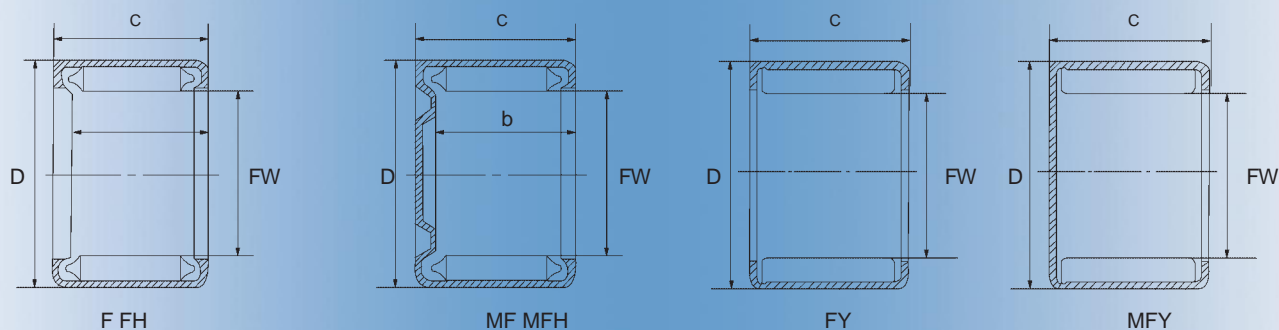


# 冲压外圈满装滚针轴承

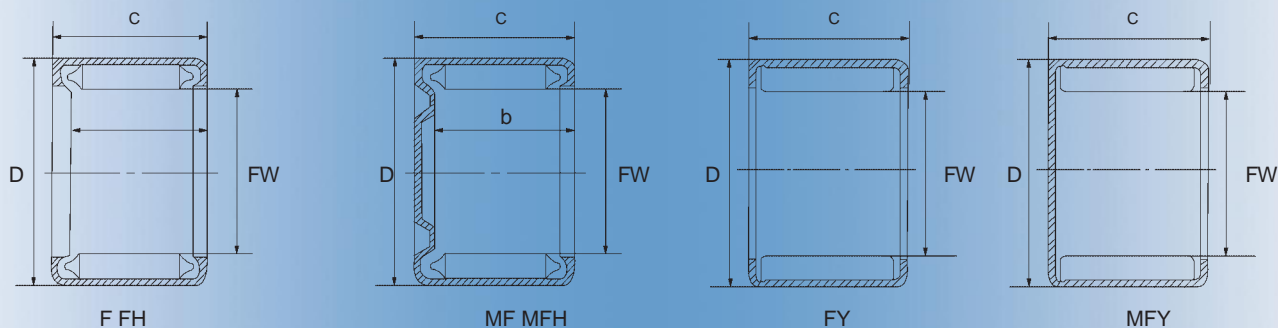
## Drawn Cup Full Complement Needle Roller Bearings



轴径 Shaft Diameter	轴径型号 Bearing Designation		重量 Mass 近似 Approx	外形尺寸 Boundary Dimensions			基本额定负荷 Basic Load Rating		极限转速 Limiting Speed
	现型号 Current Code	原型号 Original Code		Fw	D	C	动 Dynamic	静 Static	油 润滑 Oil
				mm			N		rpm
6	F-0608	30941/6	2.5	6	10	8	3080	5800	12000
6.35	F6.35X11.11X11.13	B-47	3.2	6.35	11.11	11.13	3500	6050	12000
	MF6.35X11.11X11.13	M-471	4.1	6.35	11.11	11.13	3500	6050	12000
8	F-0810	50941/8	3.7	8	12	10	4050	7150	13000
	FH-0810	941/8	7	8	14	10	5200	7150	7400
	FH-0812	942/8	9	8	14	12	4550	7150	7400
9	F-0910	50941/9	4	9	13	10	4900	8050	12000
	F-091510	941/9	6	9	15	10	8000	11500	7100
	F-091513	942/9	8	9	15	13	8560	12800	7100
9.52	F-9.52X14.29X12.7	B-68	7.5	9.52	14.29	12.70	9000	13300	7100
10	F-1010	50941/10	4.2	10	14	10	5700	9350	11000
	FH-1010	941/10	6.5	10	16	10	6350	10800	11000
	F-101615	942/10	12	10	16	15	6890	11500	7100
		943/10		10	16	17	6500	11000	7000
12	F-1212	60941/12	6	12	16	12	6380	10900	7100
	F-121712	941/12	8	12	17	12	8400	11900	7100
	F-121715	942/12	10.5	12	17	15	9000	12500	7100
	F-121718	943/12	13	12	17	18	9800	13500	7100
15	F-15X20X12	941/15	10	15	20	12	8400	11900	7100
	F-15X20X16	942/15	13.6	15	20	16	9500	12800	7100
	F-15X20X20	943/15	17.2	15	20	20	10500	16000	7100
	F-15X20X20	Y152020	20	15	20	20	10500	16000	7100
	F-1512	30941/15	12	15	21	12	9700	15900	8100
16	F-1616	50941/16	17	16	22	16	14100	25900	7700
17	F-1712	30941/17	13	17	23	12	10600	21600	7300
	F-1714	941/17	15	17	23	14	12500	22500	7300
	F-1718	942/17	21	17	23	18	13800	24800	7300
	F-1722	943/17		17	23	22	13500	24000	7100
18	F-1816	50941/18	18	18	24	16	15000	29100	6900
20	F-2014	941/20	17	20	26	14	15800	40500	6900
	F-2020	942/20	26	20	26	20	18800	42500	6900
	F-20X26X25	943/20	33	20	26	25	20500	35500	6300
22	F-2212	30941/22	14	22	28	12	9000	13300	5800
	F-2216	50941/22	22	22	28	16	17000	33000	5800
	F-2220	70941/22	29	22	28	20	20300	47200	5800
25	F-2516	941/25	28	25	32	16	18700	37900	5100
	F-2522	942/25	40	25	32	22	11000	16500	5100
	F-25X32X25	943/25	43	25	32	25	11500	18500	5100
	F-25X33X08	Y253308	16.7	25	33	8	12200	16800	4300

# 冲压外圈满装滚针轴承

## Drawn Cup Full Complement Needle Roller Bearings



轴径 Shaft Diameter	轴径型号 Bearing Designation		重量 Mass 近似 Approx	外形尺寸 Boundary Dimensions			基本额定负荷 Basic Load Rating		极限转速 Limiting Speed
	现型号 Current Code	原型号 Original Code		Fw	D	C	动 Dynamic	静 Static	油润滑 Oil
				mm			N		rpm
25	F-2512	20941/25	17	25	32	12	5250	6000	5100
	F-2520	60941/25	43	25	32	20	22800	46000	5100
28	F-2820	60941/28	118	28	35	20	25700	58300	4600
	F-2812	20941/28	31.7	28	35	12	16500	38600	4600
	F-2816	40941/28	36	28	35	16	20200	42900	4600
30	F-3020	60941/30	42	30	37	20	26800	62500	4300
	MF-3020	65941/30	48	30	37	20	26800	62500	4300
	F-30X38X16	941/30	37.5	30	38	16	25500	57500	4600
	F-30X38X24	942/30	37.5	30	38	24	28800	64500	4300
	F-30X38X32	943/30	81.5	30	38	32	34500	78900	4300
	F-3014	30941/30	37	30	37	14	19600	41200	4600
	F-3016	4094/30	40	30	37	16	21700	46500	4300
	F-3026		58.5	30	37	26	35000	74000	4300
32	F-32X39X32	943/32		32	39	32	35000	74000	4300
	F-3216	40941/32	35	32	39	16	25800	61500	4300
35	F-3520	60941/35	49	35	42	20	24000	69100	3700
	F-35X43X16	941/35	41	35	43	16	23500	68000	3700
	F-35X43X25	942/35	72	35	43	25	38700	86200	3200
	F-35X43X32	943/35	90	35	43	32	40500	98700	3200
	F-3512	20941/35	36	35	42	12	19000	59000	3700
40	F-4020	60941/40	56	40	47	20	30300	52600	3300
	FH-4032	942/40	88	40	50	32	42500	108000	2600
	MFH-4032	86942/40	95	40	50	32	42500	108000	2600
	FH-40X50X38	943/40	105	40	50	38	44800	118500	2600
	F-4016	40941/40	51	40	47	16	26500	62000	3300
45	F-4520		62	45	52	20	30400	30400	2900
	FH45X55X38	943/45	140	45	55	38	45800	45800	2900
	F-4516	40941/45	49	45	52	16	23800	65900	2900
50	F-5020	50941/50	78	50	58	20	35800	98000	2600
	FH-50X60X38	943/50	145	50	60	38	50500	145800	2600
55	F-5520	50941/55	97	55	63	20	39500	102000	2600
60	F-60X68X38	943/60	185	60	68	38	50200	145000	2600