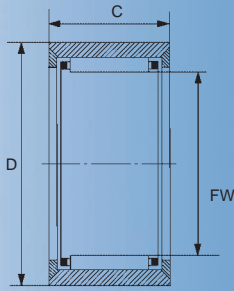
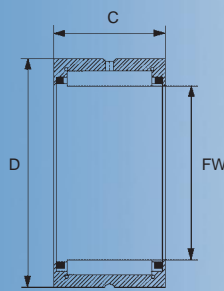


# 无内圈滚针轴承

## Needle Roller Bearings Without Inner Ring



NK(FW ≤ 10mm)  
NKS(FW ≤ 12mm)

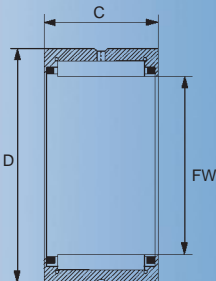


NK(FW ≥ 12mm) NKS(FW ≥ 14mm)  
RNA 49, RNA 69(FW ≤ 35mm)

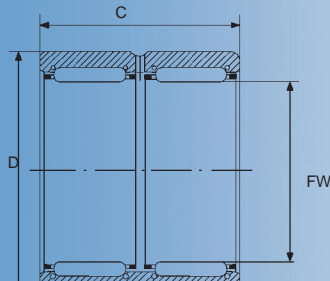
轴径 Shaft Diameter	轴承型号 Bearing Designation		重量 Mass 近似 Approx	外形尺寸 Boundary Dimensions			基本额定负荷 Basic Load Rating		极限转速 Limiting Speed
	现型号 Current Code	原型号 Original Code		Fw	D	C	动 Dynamic	静 Static	
mm			g	mm			N		rpm
5	NK5/10TN		2.9	5	10	10	2100	1400	36780
	NK05/08			5	10	8			
	NK05/10TN-OH			5	10	12	2350	1920	39000
	NK05/12TN		3.7	5	10	12	3000	2650	39000
6	NK06/10			6	12	10	2600	2200	37000
	NK06/10TN			6	12	10	2600	2200	37000
	NK06/12TN		5.7	6	12	12	3350	3150	37000
	RNA6X13X8TN			6	13	8			
7	NK07/10		6.9	7	14	10	2850	2650	34000
	NK07/12		8.2	7	14	12	3650	3600	34000
7.8	RNA7.8169			7.8	16	9			
8	NK8/12TN		8.3	8	15	12	3950	4100	32000
	NK08/12		8.7	8	15	12	3950	4100	32000
	NK08/16		12	8	15	16	5100	5800	32000
	NK08/16TN			8	15	16	5100	5800	32000
	RNA8X19X9			8	19	9			
	RN8X14X8			8	14	8			
	RNA496			8	15	10			
9	NK09/12		10.3	9	16	12			
10	NK10/12TN	462409K	10	10	17	12	4750	5300	29000
		5624097	16.6	10	17	15	4860	7100	29000
	NK10/10			10	17	10			
	NK10/12			10	17	12			
	NK10/16			10	17	16	6200	7800	29000
	NK10/16TN			10	17	16	6200	7800	29000
	NKS10			10	19	13	5800	6000	29000
12	NK12/12TN	644097	11.8	12	19	12	6000	6400	27000
		5624098	15.4	12	19	15	6400	7100	27000
	NK12/16		16.8	12	19	16	8200	9800	27000
14	NK14/16	4624900K	20.8	14	22	16	10100	11500	25000
	NKS14		27	14	25	16	1400	13800	24000
	RNA4900	4624900	24.4	14	22	13	8500	9000	25000
	RNA6900	6634900	29.1	14	22	22	12800	15600	25000
	NK14/12			14	22	12			
	NK14/20			14	22	20	12800	15600	25000
15	NK15/12	644800K	18.5	15	23	12	8600	11000	21000
	RNA152815		31.7	15	28	15	13600	17200	24000
		7948/15	16.1	15	22	12	8200	9800	8500

# 无内圈滚针轴承

## Needle Roller Bearings Without Inner Ring



NK,NKS,RNA 49,  
RNA 69(FW ≤ 35mm)

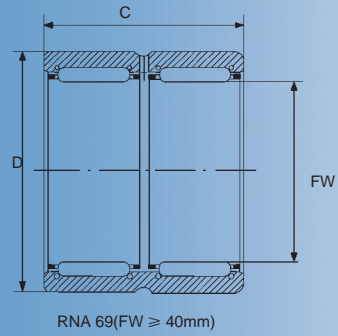
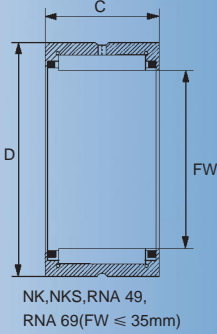


RNA 69(FW ≥ 40mm)

轴径 Shaft Diameter	轴承型号 Bearing Designation		重量 Mass 近似 Approx	外形尺寸 Boundary Dimensions			基本额定负荷 Basic Load Rating		极限转速 Limiting Speed
	现型号 Current Code	原型号 Original Code		Fw	D	C	动 Dynamic	静 Static	油润滑 Oil
mm			g	mm			N		rpm
15		644302	18.2	15	25	12	10600	13500	17000
	NK15/16		21.8	15	23	16	10700	12700	24000
	NK15/20		26.7	15	23	20	13600	17200	24000
	NK152312			15	23	12			
	NK152512			15	25	12			
16	NK16/16		20.8	16	24	16	11300	13900	23000
	NK16/20	624701	23.9	16	24	20	10400	16800	23000
	RNA4901	4624901	16.6	16	24	13	6400	8900	15500
	RNA6901	6634901	28.7	16	24	22	14000	18600	15500
	NKS16		30	16	28	16	14900	15000	20000
	NK162516			16	25	16			
	NK162616			16	26	16			
17	NK17/16	644903K	21.5	17	25	16	9000	13500	14000
	NK17/20	RNA172520	30	17	25	20	15000	20000	23000
18	NK18/20		30.5	18	26	20	15500	19800	22000
	NK18/16			18	26	16	12500	16200	22000
19	NK19/16			19	27	16	13000	17000	22000
20	NK20/16	644802	25.7	20	28	16	10500	13800	21000
	NK20/20	624802	29.3	20	28	20	11500	21800	21000
	NK202616		20.8	20	26	16	9600	10800	21000
	NK202620			20	26	20	9600	10800	21000
	NKS20		46.8	20	32	20	20000	23000	20000
	NK203312SX		29.1	20	33	12	13000	18000	11000
		6624101	24.3	20	28	25	13000	17500	11000
	RNA4902	4624902	20.5	20	28	13	11000	12900	12000
	RNA6902	6634902	35.4	20	28	23	10800	12800	12000
	NK20/16			20	32	16	13000	25000	12000
	RNA5902			20	28	18			
21	NK21/12			21	29	12			
	NK21/16			21	29	16	13500	18700	21000
	NK21/20			21	29	20			
22	NK22/16	NK223016	29.2	22	30	16	13500	18000	11500
		NK223516	34.6	22	35	16	18600	20800	11500
	NKS22		60.2	22	35	20	21500	25000	17000
	RNA4903	4644903	20.7	22	30	13	12000	16800	16300
	RNA5903			22	30	18			
	RNA6903	6634903	39.8	22	30	23	14000	19900	16300
		624703	53	22	35	25	24500	28000	14100
	634704L	42.5	22	30	30	17700	27000	16500	

# 无内圈滚针轴承

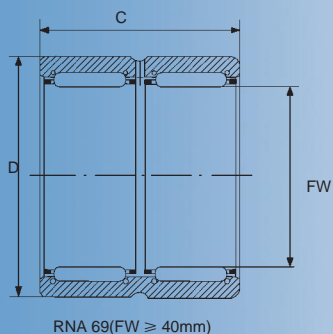
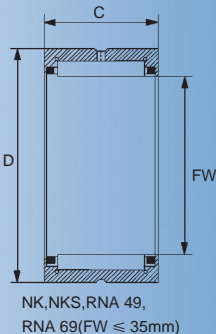
## Needle Roller Bearings Without Inner Ring



轴径 Shaft Diameter	轴承型号 Bearing Designation		重量 Mass 近似 Approx	外形尺寸 Boundary Dimensions			基本额定负荷 Basic Load Rating		极限转速 Limiting Speed
	现型号 Current Code	原型号 Original Code		Fw	D	C	动 Dynamic	静 Static	油润滑 Oil
mm			g	mm			N		rpm
22		644704	27.4	22	28	16	10500	15000	16500
		NK223516	49.4	22	35	16	18600	20800	16500
	NK22/20			22	30	20			
23		634704KA	37.5	23	30	30	18600	29000	15000
24	NK24/16			24	32	16			
	NK24 × 33.5 × 7.5			24	33.5	7.5			
25	NK25/16	624904	30	25	33	16	12900	20400	15000
	NK25/20	644804	38.4	25	33	20	16800	28500	15000
	RNA4904	4644904	50.8	25	37	17	11900	16500	15000
	RNA6904	6634904	97.7	25	37	30	26000	43000	15000
	NKS25		65	25	38	20	25800	31000	16300
		624704	100.1	25	35	25	14900	22400	16500
	NK25/30	644804K	63	25	33	30	18800	30500	165000
	NK253326			25	33	26			
	NK253422			25	34	22			
	NK253425			25	34	25			
	NK253820			25	38	20			
	NK253825			25	38	25			
NK254517.5			25	45	17.5				
26	NK26/16		30	26	34	16	15000	23000	16300
	NK26/20		40	26	34	20	17000	30000	16300
27	NK27 × 40 × 25			27	40	25			
28	RNA283833		99.8	28	38	33	33000	57000	12000
		F3833	99.8	28	38	33	33000	57000	12000
	NKS28		80	28	42	20	25900	33500	15000
	NK28/20		53	28	37	20	22000	34000	16500
	NK28/30			28	37	30	33000	57000	12000
RNA69/22	63549/22		28	39	30				
29	NK29/20			29	38	20	21900	34000	15000
	NK29/30			29	38	30	32500	57000	15000
30	NK30/20	644805	57.9	30	40	20	20600	32000	15000
	NK30/30		95	30	40	30	31500	50000	15000
	RNA4905	4624905	57	30	42	17	23600	31500	14000
	RNA6905	6634905	106.5	30	42	30	39000	59000	14000
		624905	68	30	42	20	20000	32000	15000
	NK304013			30	40	13			
	NK304430			30	44	30			
	NK304630			30	46	30			
NK305017			30	50	17				

# 无内圈滚针轴承

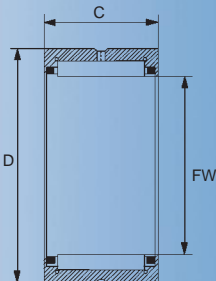
## Needle Roller Bearings Without Inner Ring



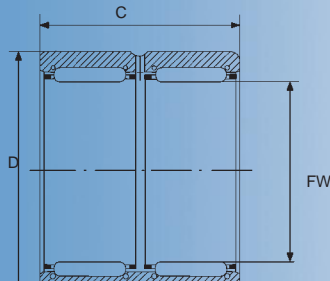
轴径 Shaft Diameter	轴承型号 Bearing Designation		重量 Mass 近似 Approx	外形尺寸 Boundary Dimensions			基本额定负荷 Basic Load Rating		极限转速 Limiting Speed
	现型号 Current Code	原型号 Original Code		Fw	D	C	动 Dynamic	静 Static	油润滑 Oil
				mm			N		rpm
30	NKS30			30	45	17	32000	40000	14000
	RNA305225			30	52	25			
30.5	NK30.5 × 50 × 16			30.5	50	16			
	NK30.5 × 50 × 17			30.5	50	17			
31	NK31.75 × 44.45 × 31.75			31.75	44.45	22			
32	NK32/20	624705	75.4	32	42	20	22600	33500	15000
	RNA49/28	46449/28K	80	32	45	17	17400	30000	13000
	NAS32		100	32	47	22	31000	40000	13000
	RNA69/28		125	32	45	30	39500	61300	13000
		644906	42	32	38	11	10750	30500	12000
		644706	193	32	50	35	40500	63000	12000
	NKS32		100	32	47	22	31000	40000	12000
	NK32/30			32	42	30	33500	60000	12000
34	RNA324527			32	45	27			
	NK345034			34	50	34			
	NK345035			34	50	35			
35	NK35/20	644806	70	35	45	20	13800	26900	12000
	RNA4906	4624906	62.8	35	47	17	17000	30500	12000
	RNA6906	6634906	116	35	47	30	35000	67000	12000
		644907	161	35	51		43500	71000	12000
	NK354512			35	45	12			
	NK354830			35	48	30			
	NK355034			35	50	34			
	NK355236			35	52	36			
	RNA354527			35	45	27			
36	RNA5906		108	35	47	23			
	RNA355730			35	57	30			
	RNA355734			35	57	34			
	NK365225			36	52	25			
		624706	154	37	52	22	28500	45500	9000
37	NK37/20			37	47	20	24900	43500	12000
	NK37/30			37	47	30	37000	73000	12000
38	NK38/20			38	48	20	25500	45000	12000
	NK38/30			38	48	30	38000	76000	12000
40	NK40/20		78.9	40	50	20	26500	43000	11000
	NK40/30		120	40	50	30	37500	79000	11000
	NK404815			40	48	15			
	NK405530			40	55	30			
	NKS40			40	55	22	38000	54000	11000

# 无内圈滚针轴承

## Needle Roller Bearings Without Inner Ring



NK,NKS,RNA 49,  
RNA 69(FW ≤ 35mm)

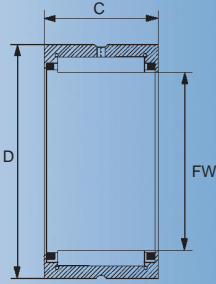


RNA 69(FW ≥ 40mm)

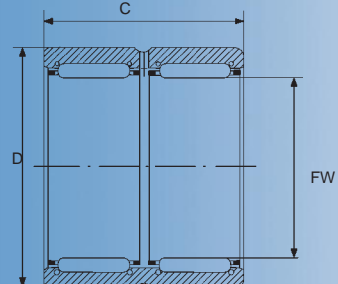
轴径 Shaft Diameter	轴承型号 Bearing Designation		重量 Mass 近似 Approx	外形尺寸 Boundary Dimensions			基本额定负荷 Basic Load Rating		极限转速 Limiting Speed
	现型号 Current Code	原型号 Original Code		Fw	D	C	动 Dynamic	静 Static	油润滑 Oil
mm			g	mm			N		rpm
55	NKS55			55	72	22	45000	74000	7600
58	RNA4910	4644910	161	58	72	22	41000	72000	7500
	RNA6910	6634910	296	58	72	40	68000	135000	7500
60	NK60/25		154	60	72	25	39000	86000	7000
	NK60/35			60	72	35	56000	130000	7000
	NKS60			60	80	28	63000	98000	7000
63	RNA4911	4644911	241	63	80	25	50600	96580	7000
	RNA6911	6634911	430	63	80	45	82560	172000	7000
65	NK65/25			65	78	25	44000	98000	7000
	NK65/35			65	78	35	59000	142000	7000
	NKS65			65	85	28	67000	108000	7000
68	RNA4912	4644912	257	68	85	25	52800	91050	7000
	RNA5912		408	68	85	34			
	RNA6912	6634912	436	68	85	45	88500	186000	7000
	NK68/25			68	82	25	43500	89000	7000
70	NK70/25			70	85	25	44500	92000	6500
	NK70/35			70	85	35	63000	144000	6500
72	RNA4913	4644913	300	72	90	25	57500	110500	6500
	RNA6913	6634913	571	72	90	45	87600	194500	6500
75	NK75/25		315	75	92	25	54000	104000	6000
	NK75/35		445	75	92	35	77000	162000	6000
80	RNA4914	4644914	400	80	100	30	79000	154000	5500
	RNA6914	6634914	815	80	100	54	121000	263000	5500
	NK80/25			80	95	25			
	NK80/35			80	95	35			
85	RNA4915	4644915	472	85	105	30	82000	158000	5500
	RNA5915		745	85	105	40			
	RNA6915	6634915	923	85	105	54	128000	272000	5500
	NK85/25			85	105	25	69000	123000	5500
	NK85/35			85	105	35	98000	193000	5500
90	RNA4916	4644916	496	90	110	30	81000	170500	5000
	RNA6916	6634916	978	90	110	54	130500	280600	5000
	NK90/35			90	110	30	103000	20800	5000
95	NK95/26			95	115	26	73000	137000	4800
	NK95/36			95	115	36	107000	223000	4800
96		SG-421	496	96	115	29	73000	137000	4600
100	RNA4917	4644917	608	100	120	35	98000	207000	4600
	RNA6917	6634917	1112	100	120	63	161000	337000	4600
	NK100/30			100	120	30			

# 无内圈滚针轴承

## Needle Roller Bearings Without Inner Ring



NK,NKS, RNA 49,  
RNA 69(FW ≤ 35mm)

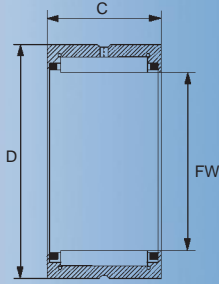


RNA 69(FW ≥ 40mm)

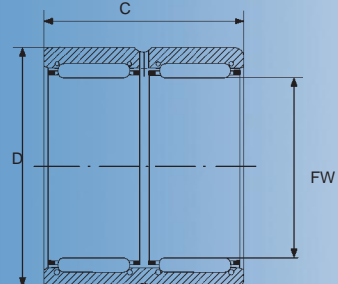
轴径 Shaft Diameter	轴承型号 Bearing Designation		重量 Mass 近似 Approx	外形尺寸 Boundary Dimensions			基本额定负荷 Basic Load Rating		极限转速 Limiting Speed
	现型号 Current Code	原型号 Original Code		Fw	D	C	动 Dynamic	静 Static	油 润滑 Oil
				mm			N		rpm
40	RNA49/32			40	52	20			
	RNA69/32	66349/32	147	40	52	36	25500	68500	8500
	RNA40S422			40	54	22			
	RNA40X55X20			40	55	20			
42	NK42/20		83	42	52	20	23900	45000	10000
	NK42/30		125	42	52	30	27000	49000	10000
	RNA4907	4624907	99.3	42	55	20	19800	41500	8700
	RNA5907			42	55	27			
	RNA6907	6634907	160	42	55	36	26000	60500	8700
		644708	148	42	65	22	31500	51000	8700
43	NK43/20		84	43	53	20	25700	75000	10000
	NK43/30		126	43	53	30	39000	75000	10000
45	NK45/20	644808	81.5	45	55	20	19800	46500	7650
		624708	75.3	45	55	22	20500	49600	7650
		46449/38	80	45	58	20	21600	50500	7650
	NK45/30			45	55	30	41000	88000	7650
	NKS45			45	60	22	40500	60000	7650
	RNA456227K			45	62	27			
47	NK47/20			47	57	20	28500	56000	7650
	NK47/30			47	57	30	43000	94000	7650
48	RNA4908	4644908	132	48	62	22	31000	63000	8120
	RNA5908		225	48	62	30	31000	63000	8120
	RNA6908	6634908	238	48	62	40	64000	112000	8120
50	RNA50/25		167	50	62	25	28000	67000	8140
	RNA50/35		236	50	62	35	32000	70100	8140
		624708K	328	50	65	34	40000	62000	8140
	NK50/14			50	64	14	32000	70100	8140
	NK50/15			50	65	15	40000	62000	8140
	NK50/27YA	644810	257	50	67	27			
	NKS50			50	65	22			
	NK506825			50	68	25			
52	RNA4909	4624909	163	52	68	22	37000	69500	7600
	RNA5909		232	52	68	30			
	RNA6909	6634909	308	52	68	40	61500	123500	7600
55	NK55/25		167	55	68	25	30600	60800	7600
		624709	210	55	68	25	36000	68000	7600
	NK55/30			55	68	30	48000	63000	7600
	NK55/35			55	68	35	55000	74000	7600

# 无内圈滚针轴承

## Needle Roller Bearings Without Inner Ring



NK, NKS, RNA 49,  
RNA 69 (FW ≤ 35mm)

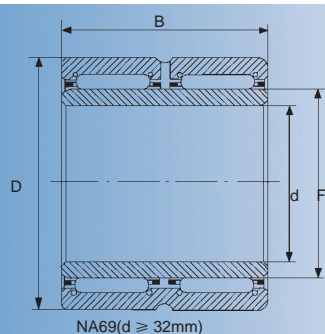
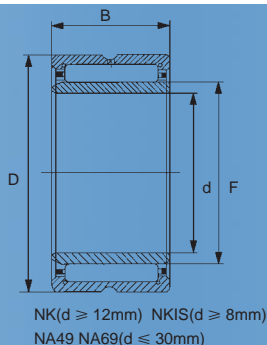
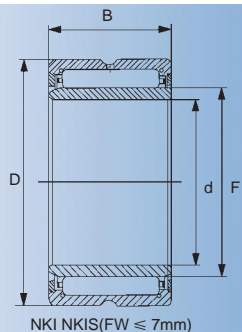


RNA 69 (FW ≥ 40mm)

轴径 Shaft Diameter	轴承型号 Bearing Designation		重量 Mass 近似 Approx	外形尺寸 Boundary Dimensions			基本额定负荷 Basic Load Rating		极限转速 Limiting Speed
	现型号 Current Code	原型号 Original Code		Fw	D	C	动 Dynamic	静 Static	油润滑 Oil
mm			g	mm			N		rpm
100	NK100/36			100	120	36	111000	237000	4600
105	RNA4918	4644918	713	105	125	35	98500	239000	4000
	RNA6918	6634918	1250	105	125	63	174000	38000	4000
	NK105/26			105	125	26	78000	155000	4000
	NK105/36			105	125	36	114000	250000	4000
110	RNA4919	4644919	685	110	130	35	112000	245000	3870
	RNA6919	6634919	1325	110	130	63	196000	400000	3870
	NK110/30			110	130	30	98000	21000	4200
	NK110/40			110	130	40	127000	29000	4200
115	RNA4920	4624920	1006	115	140	40	120000	264000	3700
	NK115/12			115	140	12			
	NK115/15			115	140	15			
120	NK120/40			120	140	40			
125	RNA4922	6634922	1200	125	150	40	124000	270000	3300
135	RNA4924	4644924	1760	135	165	45	174000	386000	2900
160	RNA4928	4644928	2350	160	190	50	200000	460000	2900

# 有内圈滚针轴承

## Needle Roller Bearings With Inner Ring

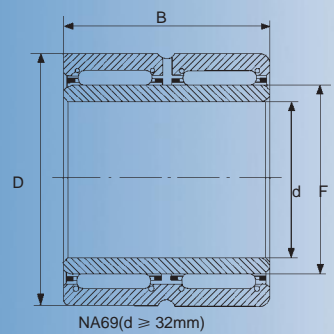
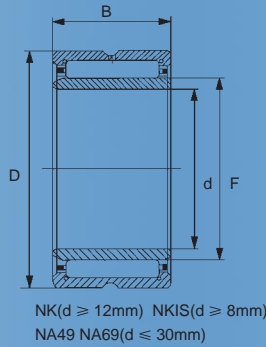
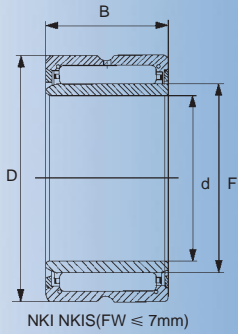


轴径 Shaft Diameter	轴承型号 Bearing Designation		重量 Mass 近似 Approx	外形尺寸 Boundary Dimensions				基本额定负荷 Basic Load Rating		极限转速 Limiting Speed
	现型号 Current Code	原型号 Original Code		d	Fw	D	B	动 Dynamic	静 Static	
mm			g	mm				N		rpm
5	NA495		7	5		13	10	2670	2350	34000
	NA495TN		7	5		13	10	2670	2350	34000
6	NA496		9	6		15	10	3150	3000	32000
7	NA497		12	7		17	10	3600	3650	30000
8	NKI 8/16			8	14	25	16	12400	11300	21500
	NA498		16	8		19	11	4300	3950	28000
9	NKI 9/12		16.6	9	12	19	12	6200	7000	21700
	NA499		17	9		20	11	4850	4900	26000
	NKI 9/16		21.9	9		19	16			
10	NKI 10/16		27.3	10	14	22	16	9800	10500	19650
	NA4900	4524900	21	10	14	22	13	8000	9000	23700
	NA6900	6534900	38.4	10	14	22	22	9000	11000	23700
12	NA4901	4524901	25.1	12	16	24	13	9000	10800	20000
	NKI 12/20		39	12	16	24	20	14000	18400	21000
	NA6901	6534901	44.5	12	16	24	22	6000	21600	20000
	NKIS12		58	12	18	30	16	16000	17000	20000
	NA12X32X15V			12		32	15			
15	NKI 15/16		38	15	19	27	16	8800	12800	19100
	NKI 15/20		45.7	15	19	27	20	12300	19000	19100
	NA4902	4924902	32	15	20	28	13	6400	9000	18000
	NA6902	6534902	61.6	15	20	28	23	13100	20900	18000
	NKIS15		90	15	22	35	20	23500	24000	17000
	NA5902		52	15	20	28	18			
	NA153212			15		32	12			
16	74802			15		36	25.4			
	NKIS16			16		28	16	13000	17400	22000
	NA16X36X24			16		36	24			
17	NKI 17/16		41.1	17	21	29	16	13000	18200	20000
	NA4903	4544903	32.8	17	22	30	13	7000	10000	17000
	NA6903	6534903	68.2	17	22	30	23	14400	24900	17000
	NA5903		56	17	22	30	18	15200	21700	18000
	NA17			17		37	20			
20	NKI 20/16		48.5	20	24	32	16	10800	17000	16700
	NA4904	4524904	70.2	20	25	37	17	21000	25000	17000
	NKIS20		119	20	28	42	20	28000	35500	15000
	NA6904	6254904		20	25	37	30	36000	51000	17000
	NA5904			20	25	37	23			
22	NKI 22/16		50	22	26	34	16	15300	23600	17000
	NA49/22		76	22	28	39	17	22000	29500	15000



# 有内圈滚针轴承

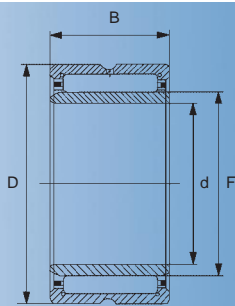
## Needle Roller Bearings With Inner Ring



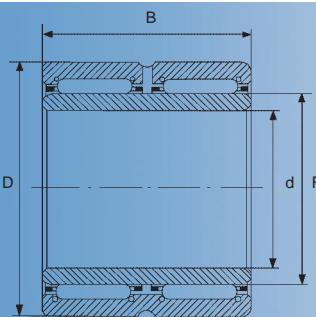
轴径 Shaft Diameter	轴承型号 Bearing Designation		重量 Mass 近似 Approx	外形尺寸 Boundary Dimensions				基本额定负荷 Basic Load Rating		极限转速 Limiting Speed	
	现型号 Current Code	原型号 Original Code		d	Fw	D	B	动 Dynamic	静 Static	油 润滑 Oil	
mm			g	mm				N		rpm	
22	NA69/22		130	22	28	39	30	37500	55000	15000	
	NA223934			22	28	39	34				
23	NA2020			23		42	22				
25	NKI 25/30		115	25	29	38	30	31500	56000	14000	
	NA4905	4524905	76	25	30	42	17	23600	31500	14000	
	NA6905	6534905	138	25	30	42	30	29000	59000	14000	
	NKIS25		160	25	32	47	22	32000	55000	13000	
		F-208277			25	32	47	22			
		NKI 25/20			25	29	38	20	21900	34000	15000
28	NA5905		139	25	30	42	23	30500	43000	13000	
	NA49/28	45449/28	98	28	32	45	17	24000	33500	14000	
	NA69/28		170	28	32	45	30	40500	63000	14000	
	NKI 28/20			28	32	42	20	23000	37500	14000	
30	NA4906	4544906	115	30	35	47	17	25000	35500	13000	
	NA5906	6534906	152	30	35	47	23				
	NA6906			30	35	47	30	43500	71000	13000	
	NKI 30/20			30	35	45	20	24000	42500	13000	
	NKI 30/30			30	35	45	30	36500	69000	13000	
32	NK132/20			32	37	47	20	24900	43900	12000	
		TAFI324720		32	37	47	20	24900	43500	12000	
	NA49/32	45449/32	150	32	40	52	20	24900	43500	12000	
	NA69/32	66349/32	272	32	40	52	36	100000	100000	11000	
35	NKI 35/30		165	35	40	50	30	39000	79000	11000	
	NA4907	4524907	151	35	42	55	20	19800	41500	11000	
	NA6907	6534907	301	35	42	55	36	26000	60500	11000	
	NKIS35		220	35	43	58	22	33000	56000	9500	
	NA5907		256	35	42	55	27				
40	NKI 40/20		124	40	45	55	20	22000	48000	10000	
	NKI 40/30		184	40	45	55	30	35000	86000	10000	
	NA4908	4544908	240	40	48	62	22	42000	65000	8500	
	NA6908		401	40	48	62	40	64000	112000	8500	
	NA5908		348	40	48	62	30	53000	92500	8500	
42	NKI 42/20		138	40	47	57	20	26000	52500	9500	
45	NKI 45/25		218	42	50	62	25	36000	70000	8500	
	NKI 45/35		289	42	50	62	35	41500	102000	8500	
	NA4909	4544909	260	45	50	68	22	37000	96500	8000	
	NA6909	6534909	479	45	50	68	40	61500	123500	8000	
	NKIS45		306	45	55	72	22	43000	71000	7500	
	NA5909		396	45	50	68	30				

# 有内圈滚针轴承

## Needle Roller Bearings With Inner Ring



NKI NKIS NA49 NA48

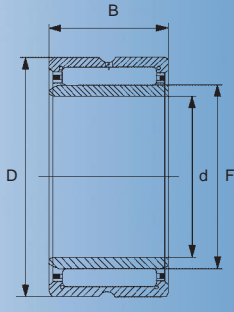


NA69

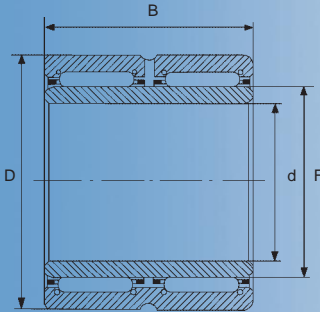
轴径 Shaft Diameter	轴承型号 Bearing Designation		重量 Mass 近似 Approx	外形尺寸 Boundary Dimensions				基本额定负荷 Basic Load Rating		极限转速 Limiting Speed
	现型号 Current Code	原型号 Original Code		d	Fw	D	B	动 Dynamic	静 Static	油润滑 Oil
mm			g	mm				N		rpm
50	NKI 50/25	TAFI506825	262	50	55	68	25	32000	78000	7500
	NA4910	4544910	264	50	58	72	22	41000	72000	7500
	NA5910			50	58	72	30			
	NA6910	6534910	457	50	58	72	40	68000	135000	7500
	NKIS50		510	50	60	80	28	60000	95000	7500
	NKI 50/35	TAFI506835		50	55	68	35	53000	118000	7500
55	NKI 55/35		357	55	60	72	35	48000	126800	7500
	NA4911	4544911	386	55	63	80	25	50600	96580	7500
	NA5911			55	63	80	34			
	NA6911	6534911	790	55	63	80	45	82560	172000	7500
60	NKI 60/25		388	60	68	82	25	35500	85000	7000
	NA4912	4544912	412	60	68	85	25	52800	110500	6500
	NA5912		614	60	68	85	34			
	NA6912	6534612	798	60	68	85	45	88500	186000	6500
	NKIS60		550	60	70	90	28	65000	110000	6500
65	NA4913	4544913	435	65	72	90	25	57500	110500	6500
	NA6913	6534913	821	65	72	90	45	87600	194500	6500
	NKI 65/25			65	73	90	25	53000	100000	6500
	NKI 65/35			65	73	90	35	75000	156000	6500
70	NA4914	4544914	712	70	80	100	30	79000	154000	5500
	NA6914	6534914	1326	70	80	100	54	121000	263000	5500
	NKI 70/35			70	80	95	35	78000	184000	5500
75	NA4915	4544915	765	75	85	105	30	82000	158000	5500
	NA5915		1130	75	85	105	40			
	NA6915	6534915	1429	75	85	105	54	128000	272000	5500
80	NA4916	4544916	870	80	90	110	30	81000	170500	5500
	NA6916	6534916	1510	80	90	110	54	130500	280600	5000
	NKI 80/35			80	90	110	35	103000	208000	5000
85	NKI 85/26			85	95	115	26	73000	137000	4800
	NKI 85/36		1040	85	95	115	36	107000	223000	4800
	NA4917	4544917	1250	85	100	120	35	111000	237000	4600
	NA6917	6534917	2200	85	100	120	63	166000	400000	4600
90	NKI 90/26			90	100	120	26	26000	146000	4600
	NA4918	4544918	1312	90	105	125	35	114000	250000	4600
	NA6918	6534918	2310	90	105	125	63	172000	425000	4600
95	NA4919	4544919	1371	95	110	130	35	116000	260000	4200
	NA6919	6534919	2500	95	110	130	63	174000	440000	4200
	NKI 95/26			95	105	125	26	78000	115000	4200
	NKI 95/36			95	105	125	36	114000	250000	4200

# 有内圈滚针轴承

## Needle Roller Bearings With Inner Ring



NKI NKIS NA49 NA48



NA69

轴径 Shaft Diameter	轴承型号 Bearing Designation		重量 Mass 近似 Approx	外形尺寸 Boundary Dimensions				基本额定负荷 Basic Load Rating		极限转速 Limiting Speed
	现型号 Current Code	原型号 Original Code		d	Fw	D	B	动 Dynamic	静 Static	油润滑 Oil
mm			g	mm				N		rpm
100	NA4920	4544920	1900	100	115	140	40	12000	274000	4000
	NK1100/30			100	110	130	30	98000	210000	4000
110	NA4922	4544922	2070	110	125	150	40	132000	290000	3700
	NA4822		1080	110	120	140	30	94000	216000	3900
120	NA4924	4544924	2860	120	135	165	45	181000	890000	3400
	NA4824		1170	120	130	150	30	99000	239000	3600
130	NA4926	4544926	3900	130	150	180	50	223000	470000	3100
	NA4826		1810	130	145	165	35	118000	310000	3200
140	NA4928	4544928	4150	140	160	190	50	209000	500000	2900
	NA4828		1920	140	155	175	35	120000	325000	3000
150	NA4830		2720	150	165	190	40	152000	400000	2800
160	NA4832		2890	160	175	200	40	160000	435000	2700
170	NA4834		3960	170	185	215	45	185000	510000	2500
180	NA4836		4200	180	195	225	45	194000	550000	2400
190	NA4838		5600	190	210	240	50	227000	690000	2300
200	NA4840		5840	200	220	250	50	230000	720000	2200
220	NA4844		6380	220	240	270	50	243000	790000	2000
240	NA4848		10000	240	265	300	60	355000	1080000	1800
260	NA4852	4524852	11300	260	285	320	60	37000	1160000	1700